

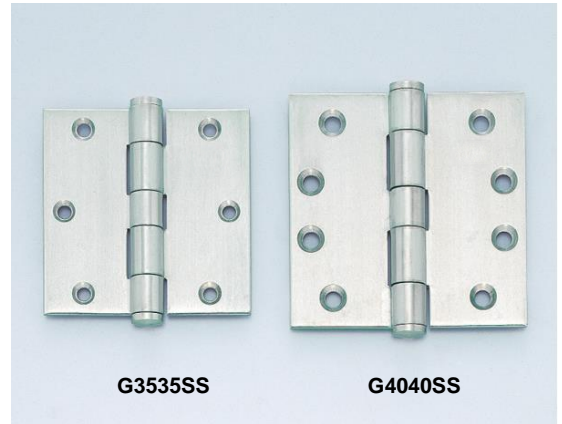
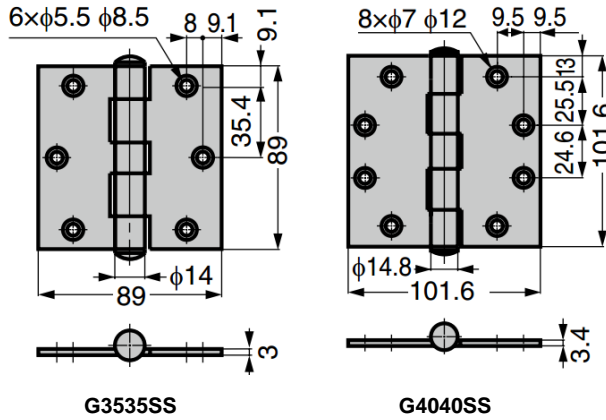
G3535SS / G4040SS Stainless Steel Butt Hinge

Material

- Stainless steel 304, satin finish

Notes

- Countersinking is required for cabinet when installing to metal sheet



Parts Included

- G3535SS:** Countersunk head wood screw 4.5×25
- G4040SS:** Countersunk head tapping screw 5.5×32

Part No.	Load Capacity (per pair)	
G3535SS	333 N	34 kg
G4040SS	431 N	44 kg

G3535WSS/G4040WSS Stainless Steel Butt Hinge With Washer

Features

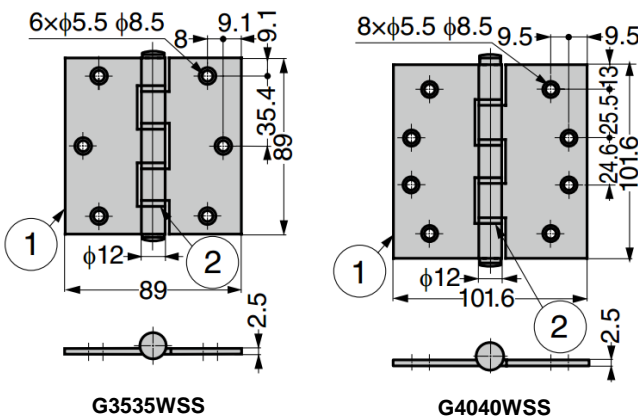
- Plastic washer prevents metal-to-metal contact and metal powder scattering

Notes

- Countersinking is required for cabinet when installing to metal sheet

Parts Included

- Countersunk head tapping screw 4×25



No.	Part Name	Material	Finish / Colour
①	Body	Stainless Steel (SUS304)	Satin
②	Washer	PA	White

Part No.	Load Capacity (per pair)	
G3535WSS	245 N	25 kg
G4040WSS	294 N	30 kg